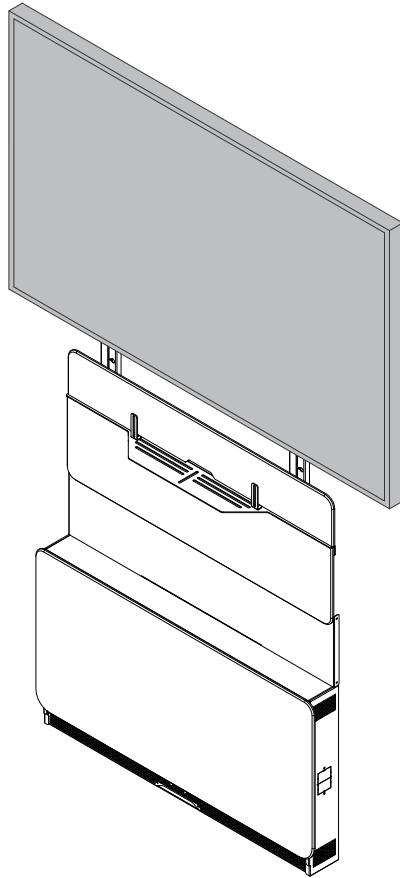

INSTALLATION INSTRUCTIONS



Tempo™ Flat Panel Floor Support System

CHIEF®
A brand of **legrand®**

TFSMB/TFSMW

DISCLAIMER

Legrand | AV and its affiliated corporations and subsidiaries (collectively "Legrand | AV"), intend to make this manual accurate and complete. However, Legrand | AV makes no claim that the information contained herein covers all details, conditions or variations, nor does it provide for every possible contingency in connection with the installation or use of this product. The information contained in this document is subject to change without notice or obligation of any kind. Legrand | AV makes no representation of warranty, expressed or implied, regarding the information contained herein. Legrand | AV assumes no responsibility for accuracy, completeness or sufficiency of the information contained in this document.

Chief® and Tempo™ are registered trademarks of Legrand AV Inc.

DEFINITIONS

MOUNTING SYSTEM: A MOUNTING SYSTEM is the primary Chief product to which an accessory and/or component and/or another mounting system is attached.

ACCESSORY: AN ACCESSORY is the secondary Chief product which is attached to a primary Chief product, and may have a component attached or setting on it.

COMPONENT: A COMPONENT is an audiovisual item designed to be attached or resting on an accessory or mounting system such as a video camera, CPU, screen, display, projector, etc.



WARNING: A WARNING alerts you to the possibility of serious injury or death if you do not follow the instructions.



CAUTION: A CAUTION alerts you to the possibility of damage or destruction of equipment if you do not follow the corresponding instructions.



IMPORTANT SAFETY INSTRUCTIONS



WARNING: Failure to read, thoroughly understand, and follow all instructions can result in serious personal injury, damage to equipment, or voiding of factory warranty! It is the installer's responsibility to make sure all mounting systems are properly assembled and installed using the instructions provided.



WARNING: Failure to provide adequate structural strength for this mounting system can result in serious personal injury or damage to equipment! It is the installer's responsibility to make sure the structure to which this mounting system is attached or resting on can support five times the combined weight of all equipment. Reinforce the structure as required before installing the mounting system. Do not install drywall anchors into the seam between drywall pieces.

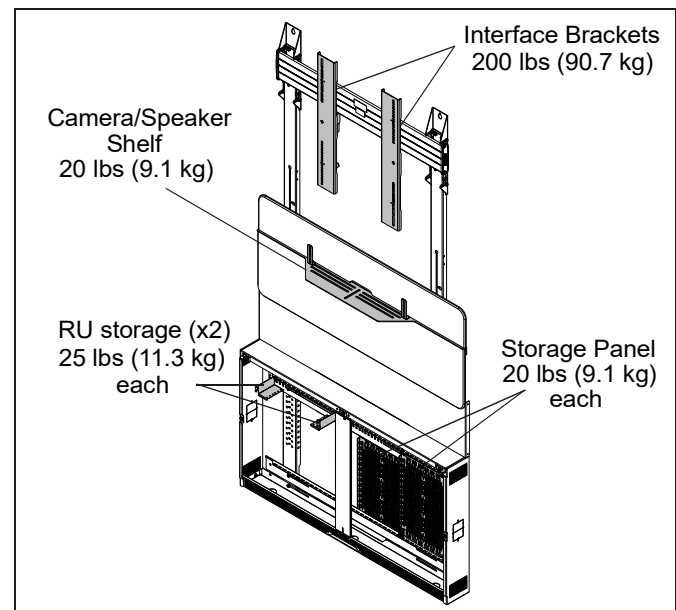


WARNING: Use this mounting system only for its intended use as described in these instructions. Do not use attachments not recommended by the manufacturer.



WARNING: Exceeding the weight capacity can result in serious personal injury or damage to equipment! It is the installer's responsibility to make sure the combined weight of all components and mounting systems attached to the interface brackets of the TFSMB/TFSMW does not exceed 200 lbs (90.7 kg). The combined weight of all components attached to the mounting system being attached to the AVSFSS cannot exceed the specific weight limit for that mounting system. The combined weight of all components cannot exceed:

- Storage panel: 20 lbs (9.07 kg) each
- RU storage (x2): 25 lbs (11.3 kg) each
- Camera/speaker shelf: 20 lbs (9.07 kg)



WARNING: Never operate this mounting system if it is damaged. Return the mounting system to a service center for examination and repair.



WARNING: Do not use this mounting system outdoors.

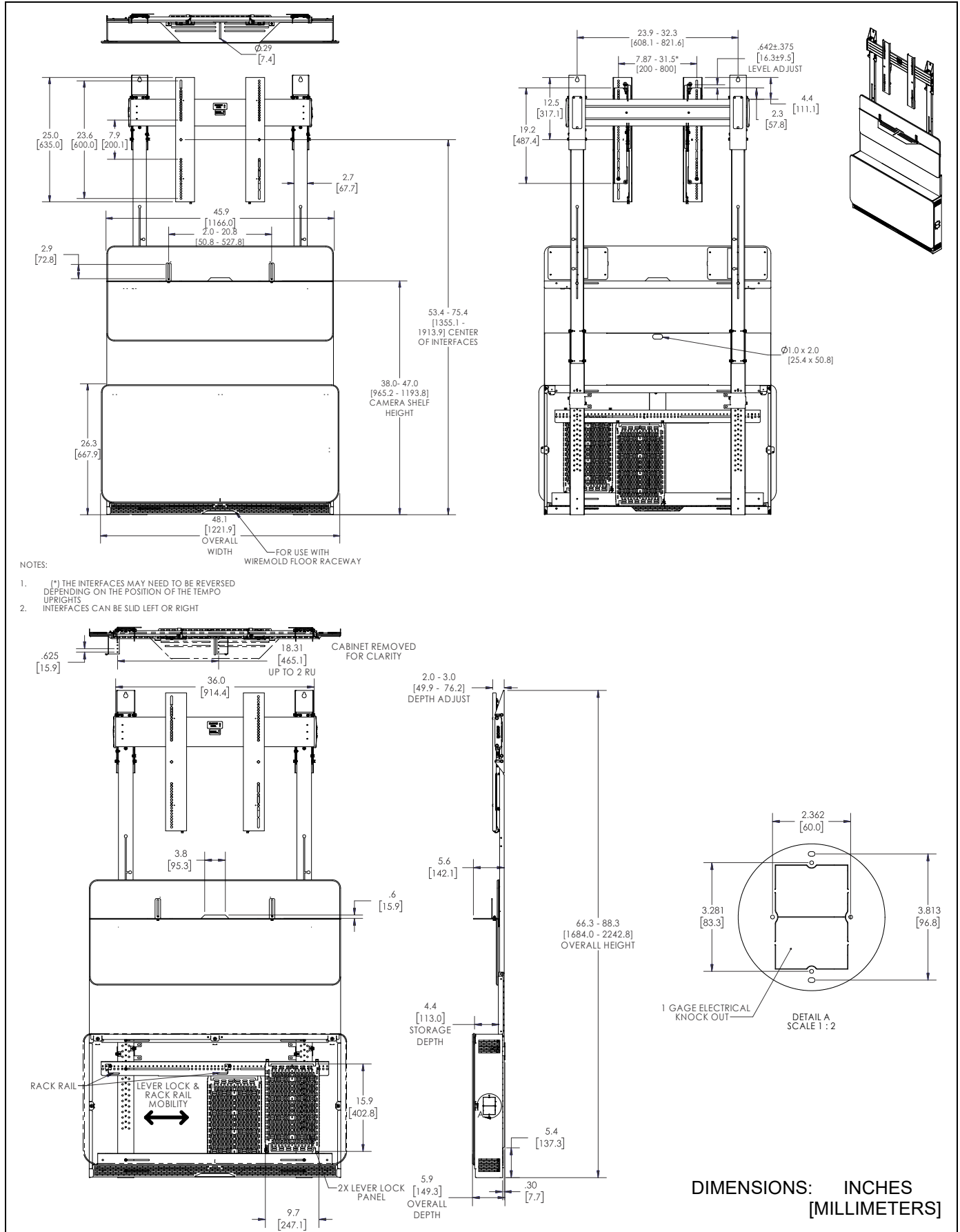
IMPORTANT ! : The TFSMB/TFSMW mounting system is designed to be mounted to one of the following surfaces:

- a sheetrock drywall with a thickness of 1/2"- 5/8" supported by 16" or 24" wood or steel studs; or
- a bare concrete wall with a minimum thickness of 8" (203mm); or
- a bare 8" x 8" x 16" (203mm x 203mm x 406mm) concrete block wall;

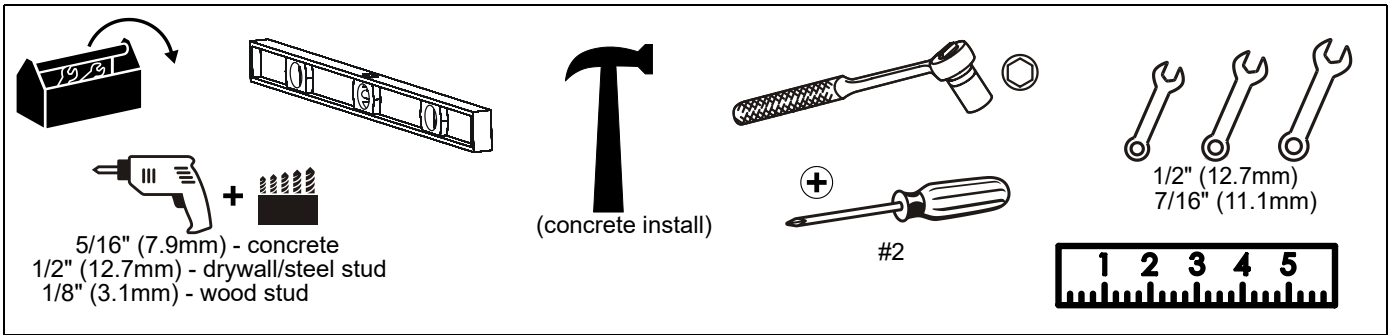
IMPORTANT ! : The TFSMB/TFSMW mounting system needs to be attached to a 1/2" - 5/8" thickness sheetrock drywall which is supported by 16" or 24" wood or steel studs, however it does NOT need to be attached to these studs directly.

--SAVE THESE INSTRUCTIONS--

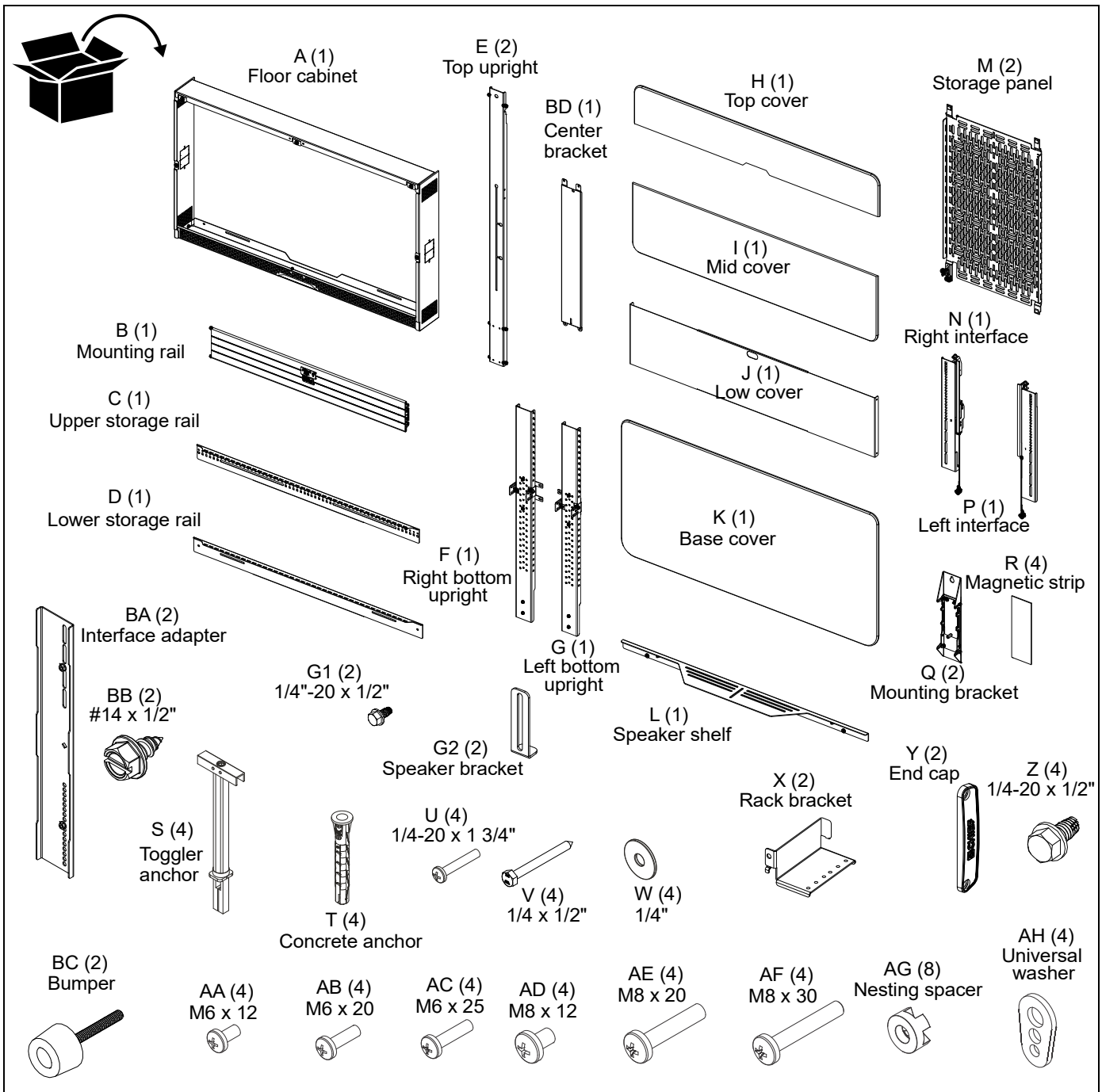
DIMENSIONS



TOOLS REQUIRED FOR INSTALLATION



PARTS



Assembly And Installation

NOTE: For large-scale installations, component storage panels (M) may be removed from each box and pre-loaded with components prior to installation.

Stand Assembly

1. Determine distance desired from finished floor to center of interfaces.
2. Refer to table below to determine holes to use to assemble uprights (E).

HEIGHT	HOLE NUMBERS
75.35" (191.4cm) from floor	1, 7
74.35" (188.8cm) from floor	2, 8
73.35" (186.3cm) from floor	3, 9
72.35" (183.8cm) from floor	4, 10
71.35" (181.2cm) from floor	5, 11
70.35" (178.7cm) from floor	6, 12
69.35" (176.1cm) from floor	7, 13
68.35" (173.6cm) from floor	8, 14
67.35" (171.1cm) from floor	9, 15
66.35" (168.5cm) from floor	10, 16
65.35" (166.0cm) from floor	11, 17
64.35" (163.4cm) from floor	12, 18
63.35" (160.9cm) from floor	13, 19
62.35" (158.4cm) from floor	14, 20
61.35" (155.8cm) from floor	15, 21
60.35" (153.3cm) from floor	16, 22
59.35" (150.7cm) from floor	17, 23
58.35" (148.2cm) from floor	18, 24
57.35" (145.7cm) from floor	19, 25
56.35" (143.1cm) from floor	20, 26
55.35" (140.6cm) from floor	21, 27
54.35" (138.0cm) from floor	22, 28
53.35" (135.5cm) from floor	23, 29

Table 1: Installation Height

3. Attach the left bottom upright (G) and right bottom upright (F) to the back side of the floor cabinet (A) using the four hex nuts attached to the bottom uprights (F/G). (See Figure 1)
4. Remove the four hex nuts from the floor cabinet (A). Place the holes in the center bracket (BD) over the studs on the front inside edge of the floor cabinet (A) and reinstall the four hex nuts. (See Figure 1)

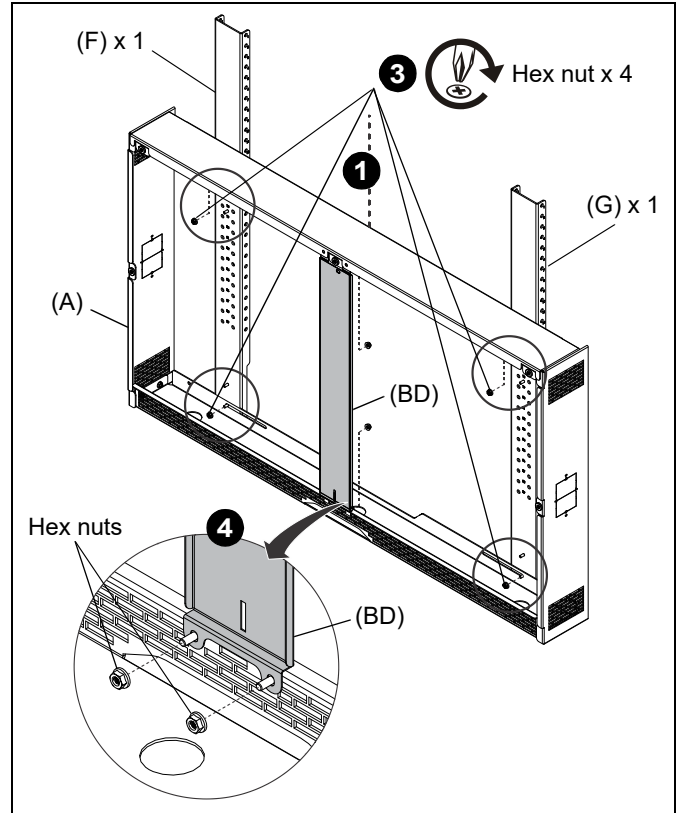


Figure 1

5. Position the assembled floor cabinet (A) and bottom uprights (F/G) in the desired position flush against the installation wall using the 4.2" slots. (See Figure 2)

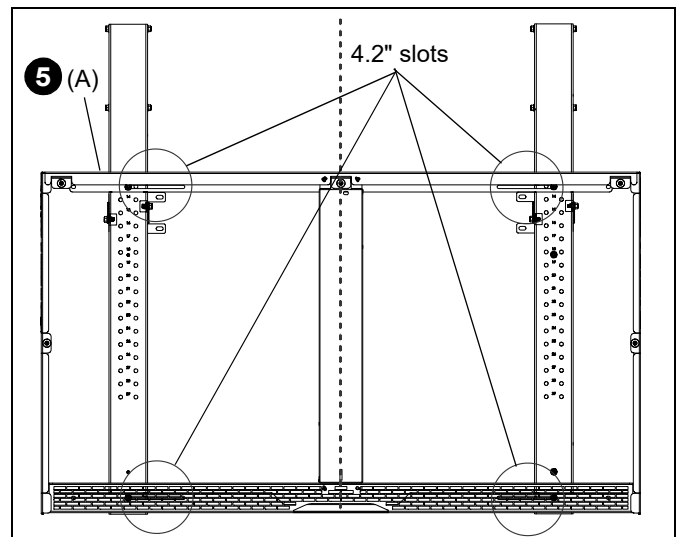


Figure 2

6. Remove the four 1/4-20 x 1/2" hex screws from each of the top uprights (E). (See Figure 3)
7. Slide the top upright (E) into each bottom upright (F/G). Ensure both top uprights are positioned at the same height from Table 1 and reinstall the eight 1/4-20 x 1/2" hex screws. (See Figure 3)

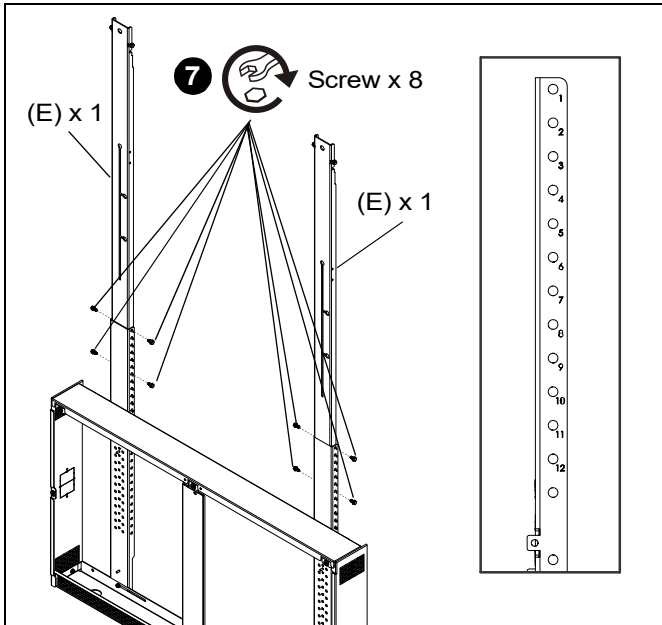


Figure 3

8. Remove the two 1/4-20 x 1/2" hex screws from each top upright (E).
9. Remove both end caps (Y) from the mounting rail (B).
10. Line up the slots in the mounting rail (B) with the tabs in the mounting brackets (Q) and slide into place. Adjust the position of the mounting rail so that there is an equal amount of overhang on both sides. (See Figure 4)

NOTE: Loosen the hex nuts and coupler nuts on the front faces of the mounting brackets (Q) to adjust their position once installed on the mounting rail (B)

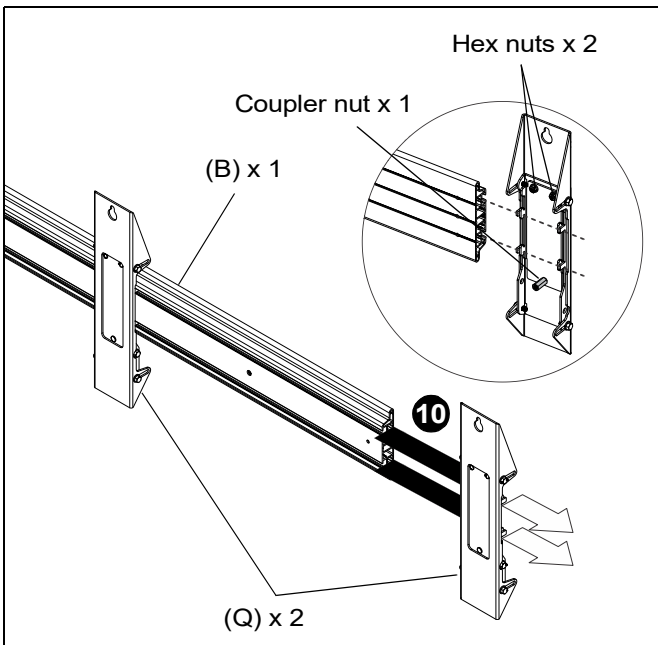


Figure 4

11. Add one end cap (Y) to each end of mounting rail (B) and reinstall using two 1/4-20 x 1/2" Phillips self-tapping screws (Z) for each end cap. (See Figure 5)

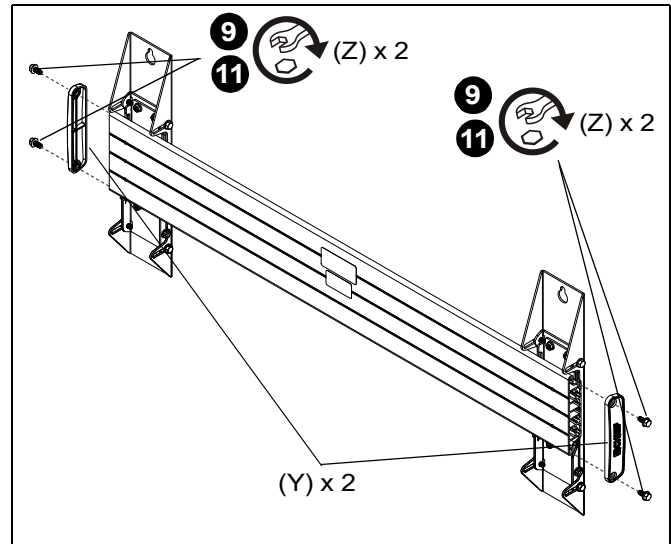


Figure 5

12. Place a mounting bracket (Q) behind each top upright (E). (See Figure 6)

NOTE: The coupler nuts on the mounting brackets (Q) may need to be removed and installed after being mounted to the uprights (E)

13. Reinstall the four 1/4-20 x 1/2" hex screws to secure the brackets (Q) to the top uprights (E). (See Figure 6)

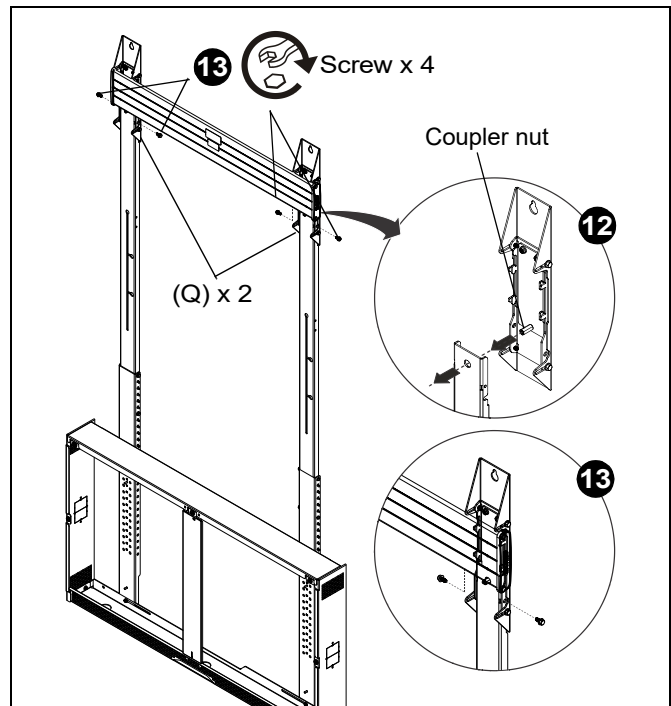


Figure 6

Attach to Wall

Sheetrock Installations

IMPORTANT ! : The TFSMB/TFSMW mounting system needs to be attached to 1/2" to 5/8" thick sheetrock drywall which is supported by 16" or 24" wood or steel studs, however it does NOT need to be attached to these studs directly.

Drywall Installation (Not attached to Studs)

1. Mark hole locations at each mounting location based on locations of mounting brackets (Q). Use a level to ensure of an even mount. (See Figure 7)
2. Drill 1/2" holes on marked hole locations.

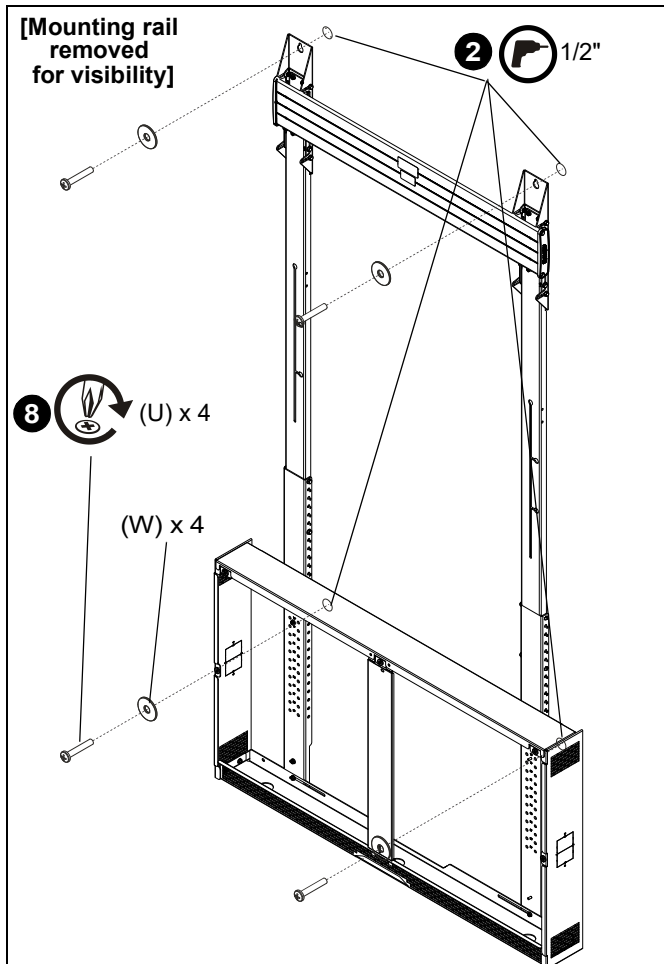


Figure 7

3. Hold metal channel on toggle anchor (S) flat alongside plastic straps and slide channel through hole (See Figure 8)

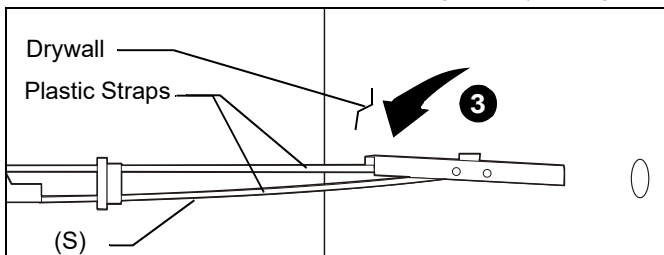


Figure 8

4. Holding plastic straps on anchor (S), pull anchor away from wall until channel rests flush behind wall making sure anchor channel is positioned vertically on drywall. (See Figure 9)
5. Slide plastic cap on anchor (S) towards wall until flange of cap is flush with wall. (See Figure 9)

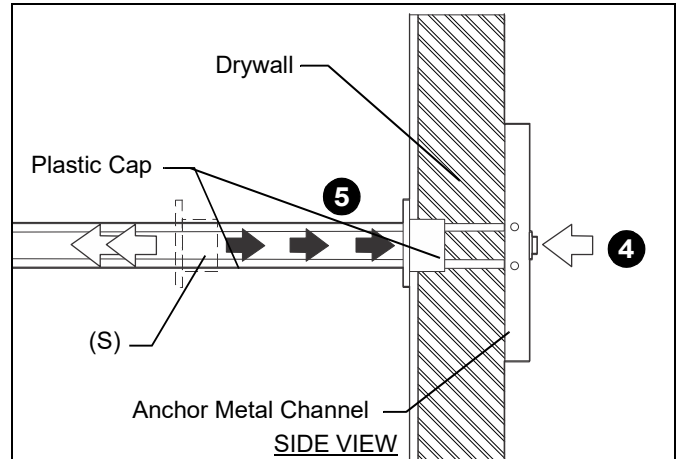


Figure 9

6. Snap off plastic straps on anchor at wall by pushing side to side, snapping off straps level with flange of plastic cap. (See Figure 10)

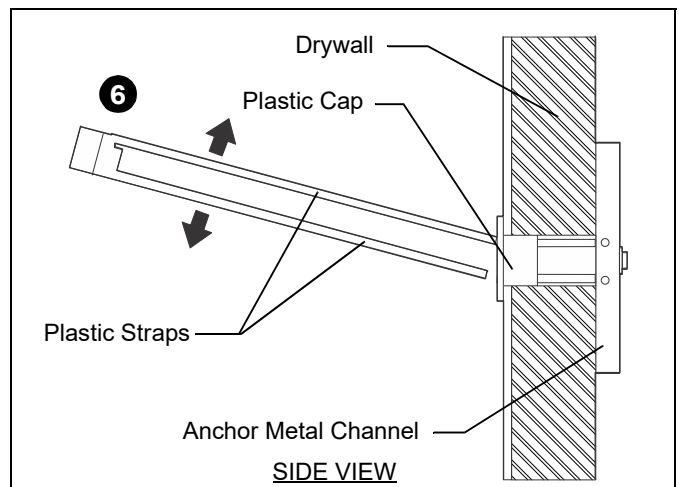


Figure 10

7. Repeat Steps 3 through 6 for the other mounting holes.
8. Use four 1/4-20 x 1 3/4" Phillips pan machine screws (U) and four 1/4" washers (W) to secure bottom uprights (F/G) and mounting brackets (Q) to wall. (See Figure 7)

Drywall (Into Steel Studs)

1. Mark hole locations at each mounting location based on locations of bottom uprights (F/G), mounting brackets (Q), and steel studs. Use a level to ensure of an even mount. (See Figure 11)
2. Drill 1/2" holes on marked hole locations. (See Figure 11)

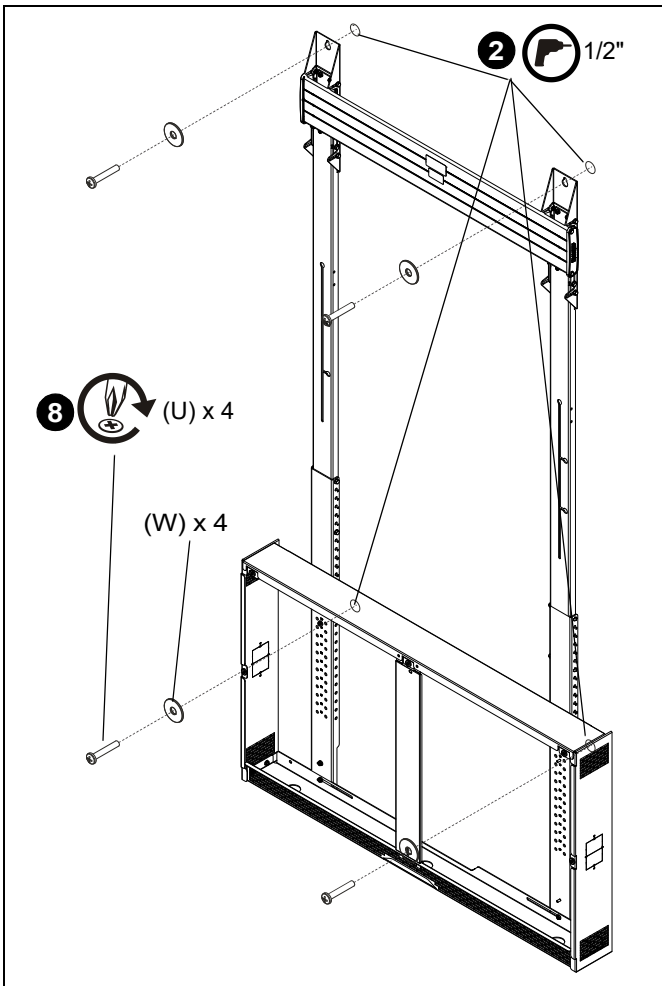


Figure 11

3. Hold metal channel on anchor (S) flat alongside plastic straps and slide channel through hole. (See Figure 12)

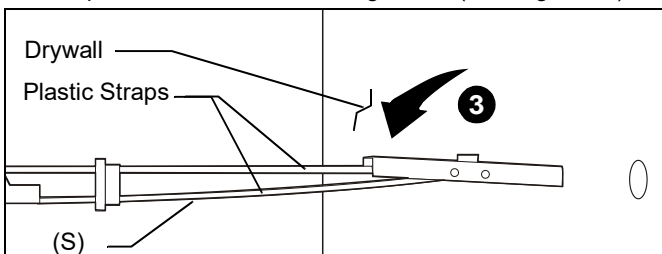


Figure 12

4. Holding plastic straps on anchor (S), pull anchor away from wall until channel rests flush behind wall making sure anchor channel is positioned vertically on stud. (See Figure 13)
5. Slide plastic cap on anchor (S) towards wall until flange of cap is flush with wall. (See Figure 13)

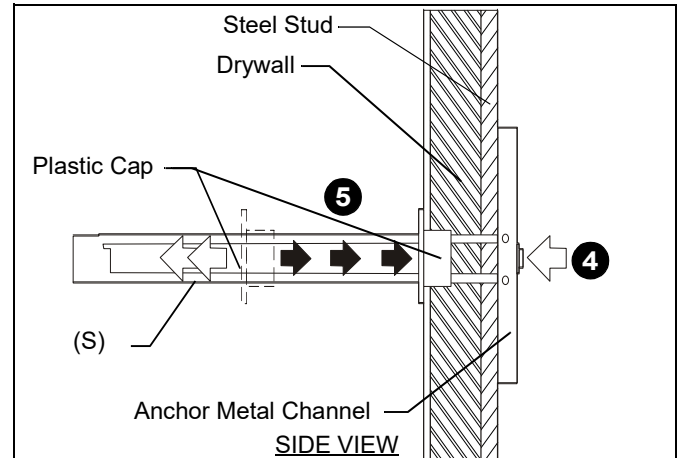


Figure 13

6. Snap off plastic straps on anchor at wall by pushing side to side, snapping off straps level with flange of plastic cap. (See Figure 14)

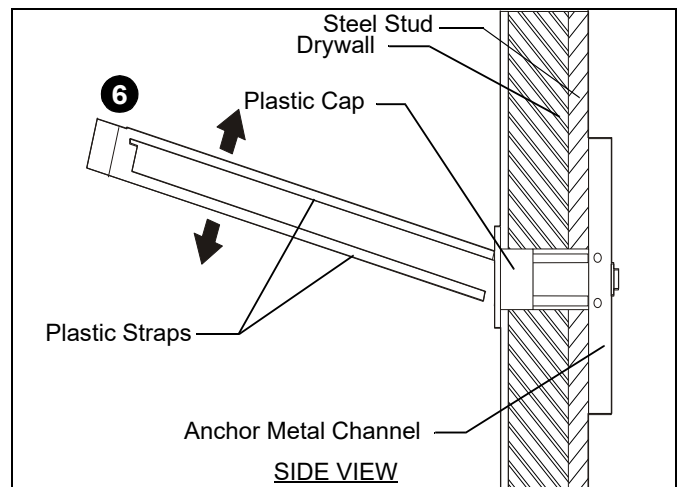


Figure 14

7. Repeat Steps 3 through 6 for the other mounting holes.
8. Use four 1/4-20 x 1 3/4" Phillips pan machine screws (U) and four 1/4" washers (W) to secure mounting brackets (Q) and bottom uprights (F/G) to wall. (See Figure 11)

Drywall Installation (Into Wood Studs)

1. Mark hole locations at each mounting location based on locations of bottom uprights (F/G), mounting brackets (Q), and wood studs. Use a level to ensure of an even mount. (See Figure 15)
2. Drill 1/8" holes on marked hole locations. (See Figure 15)

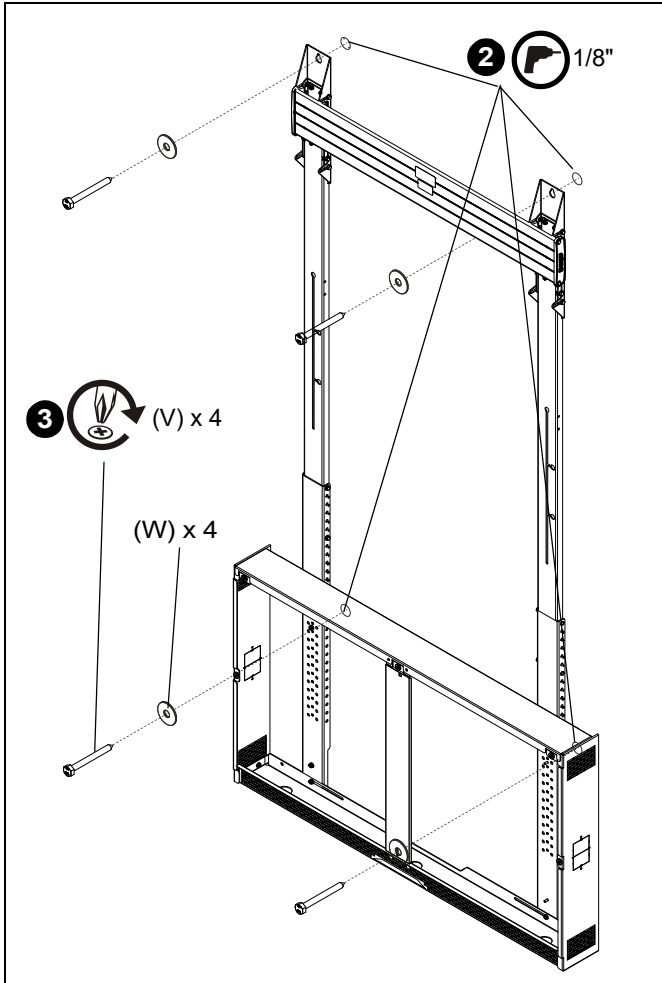


Figure 15

3. Use four 1/4 x 2 1/2" hex head lag screws (V) and four 1/4" washers (W) to secure mounting brackets (Q) and bottom uprights (F and G) to wall. (See Figure 15)

Concrete Installation

1. Mark hole locations at each mounting location based on locations of mounting brackets (Q). Use a level to ensure of an even mount. (See Figure 16)
2. Drill 5/16" holes with a depth of 2 3/8" on marked hole locations. (See Figure 16)
3. Use hammer to install four concrete anchors (T) into drilled holes. (See Figure 16)

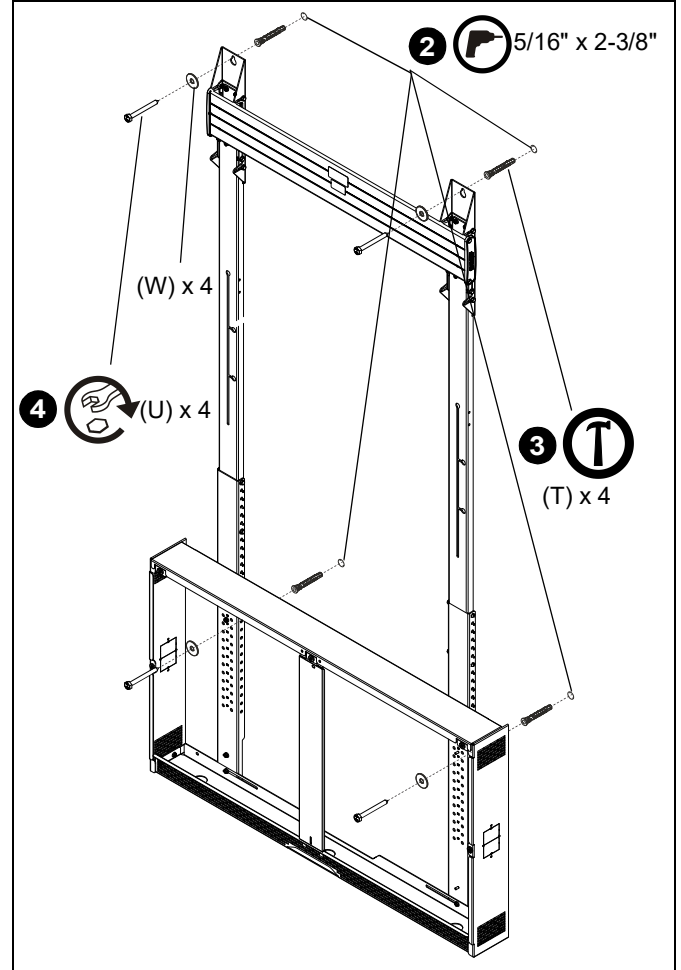


Figure 16

4. Use four 1/4 x 2 1/2" hex head lag screws (V) and four 1/4" washers (W) to secure mounting brackets (Q) and bottom uprights (F/G) to wall. (See Figure 16)

Storage Panel Installation

1. Install the upper storage rail (C) to the inside of the floor cabinet (A) using the two hex nuts attached to the bottom uprights (F/G). (See Figure 17)
2. Install the lower storage rail (D) to the inside of the floor cabinet (A) using the two hex nuts attached to the bottom uprights (F/G). (See Figure 17)

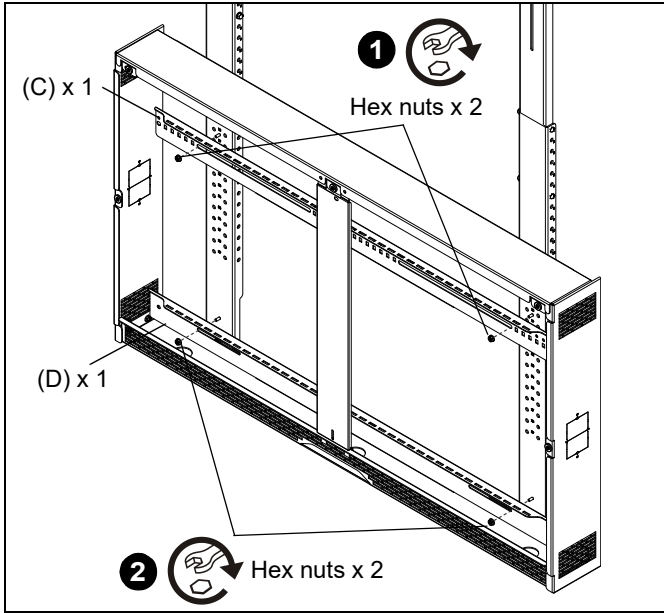


Figure 17

WARNING: Exceeding the weight capacity can result in serious personal injury or damage to equipment! It is the installer's responsibility to make sure the combined weight of all components attached to the component storage panel cannot exceed 20 lbs (9.07 kg).

1. Squeeze the spring-loaded latch on lower end tabs of the storage panels (M) and slide the panel end without latches up into the slots on one side of the rear frame opening.
2. Pivot panel in and slide it down toward the slots on lower side of the rear frame panel opening. The panel will snap into the slots, securing it to the rear frame. (See Figure 18)

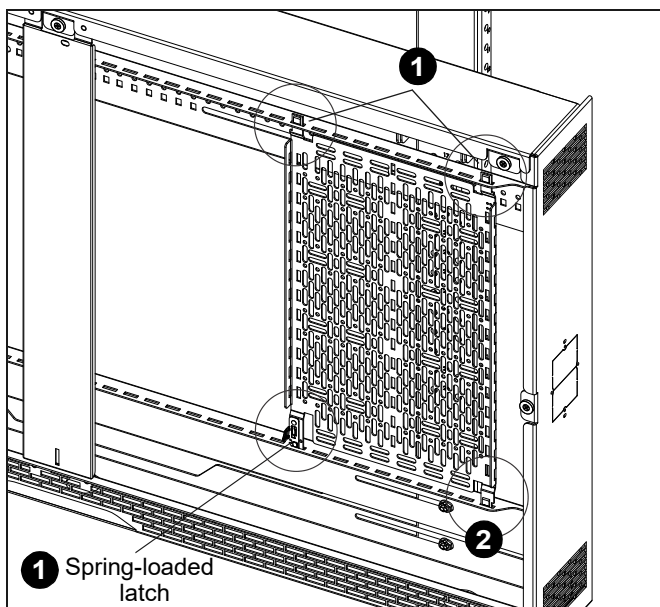


Figure 18

Rack Unit Storage Installation

WARNING: Exceeding the weight capacity can result in serious personal injury or damage to equipment! It is the installer's responsibility to make sure the weight of components attached to the two RU storage brackets does not exceed 25 lbs (11.3 kg) per RU.

1. Install two rack brackets (X) in the desired locations along the upper storage rail (C) using one #14 x 1/2" hex head self-tapping screw (BB) per bracket. (See Figure 19)

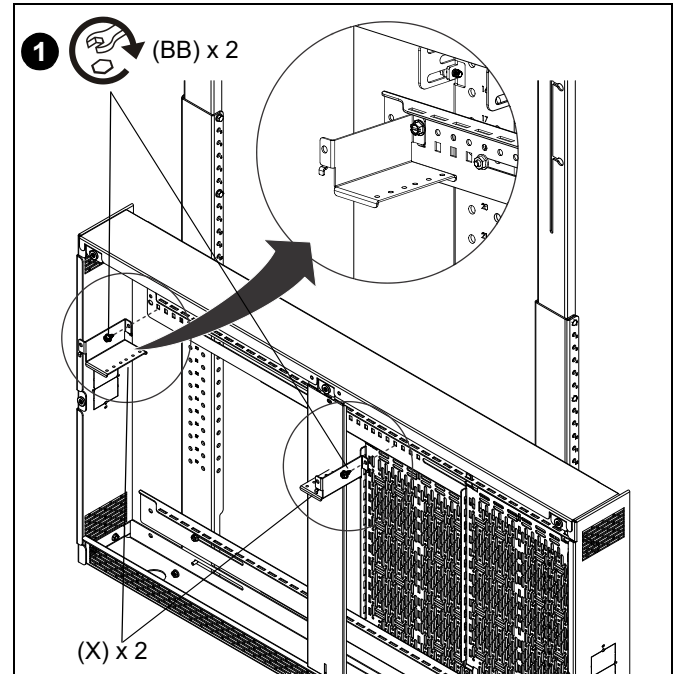


Figure 19

Cover and Camera/Speaker Shelf Installation

1. Line up the flat bolt heads on the backside of the speaker shelf (L) with the holes in the slots along both top uprights (E). (See Figure 20)
2. Insert the bolts and washers in the speaker shelf (L) into the holes, then shift the shelf to the left and down into the vertical slots.
3. Position the shelf at the desired height below the display and tighten the nuts on the front side of the shelf. (See Figure 20)

NOTE: Make sure the screws and washers are not positioned in the intersections of the horizontal and vertical slots.

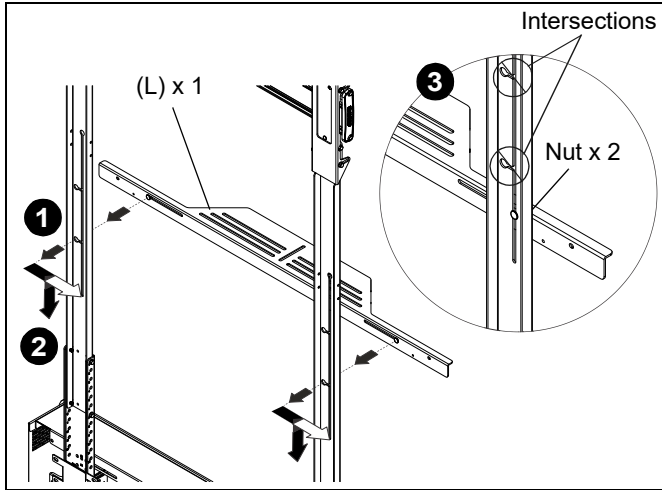


Figure 20

4. Position the base cover (K) over the front of the floor cabinet (A) and install using the attached magnets. (See Figure 21)

IMPORTANT ! : Reference the included supplementary installation manual when installing TFSMHB/TFSMHW.

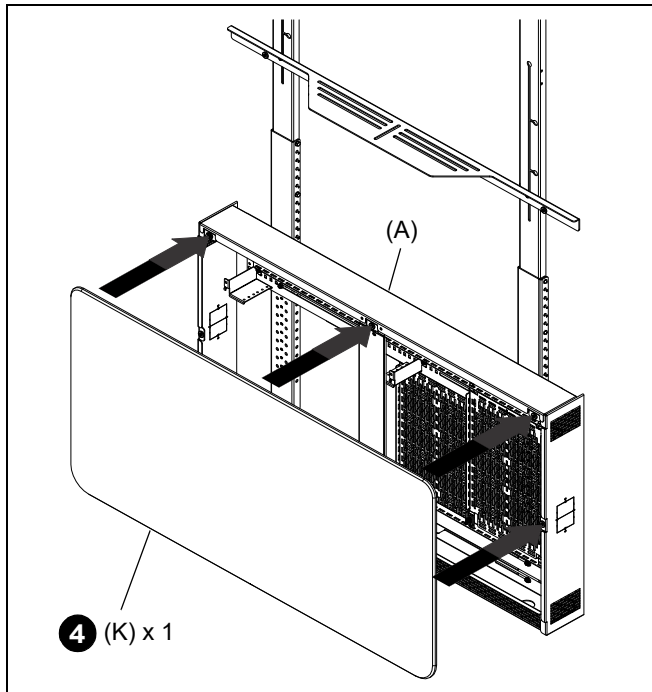


Figure 21

5. Install two magnetic tape strips (R) onto bottom uprights (F/G) by removing adhesive cover to permanently secure them to uprights. Strips (R) should be located approximately 1" above top surface of the floor cabinet (A). (See Figure 22)
6. Place low cover (J) onto two magnetic strips (R). (See Figure 22)

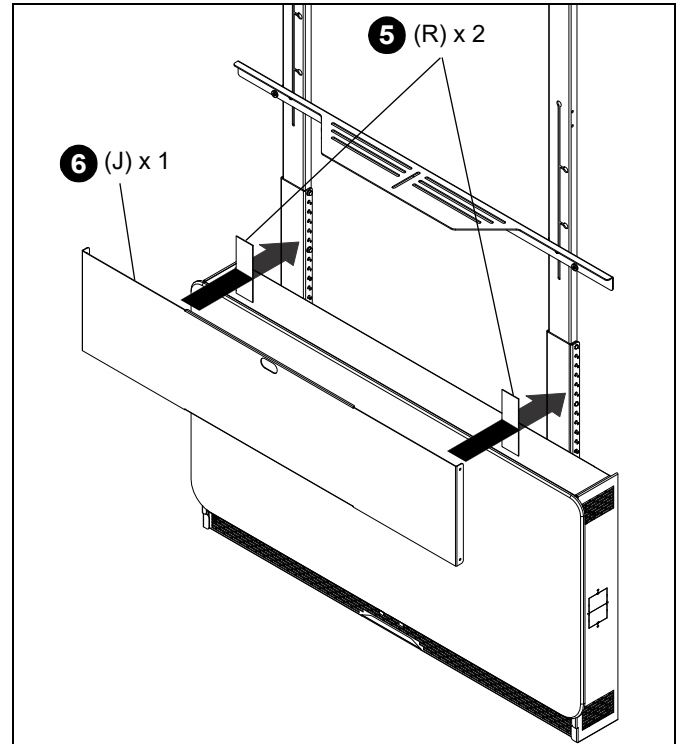


Figure 22

7. Place mid cover (I) directly over the speaker shelf (L). (See Figure 23)
8. Install two magnetic tape strips (R) onto top uprights (E) by removing adhesive cover to permanently secure them to uprights above the speaker shelf (L).
9. Place top cover (H) onto two magnetic strips (R) directly above the speaker shelf (L). (See Figure 23)

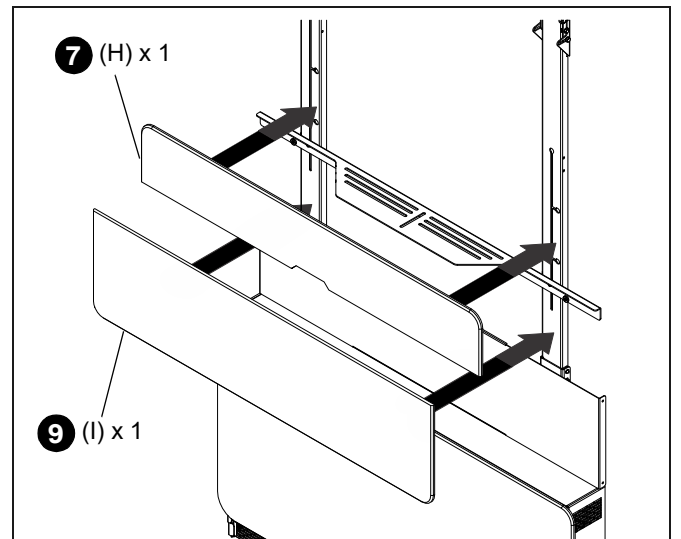


Figure 23

Cover Knockout Usage (Optional)

1. Remove knockouts on floor cabinet (A) as desired for cable management or to install control boxes. (See Figure 24)

NOTE: Holes around knockout box may be used to secure boxes or accessories to base cover using appropriate hardware.

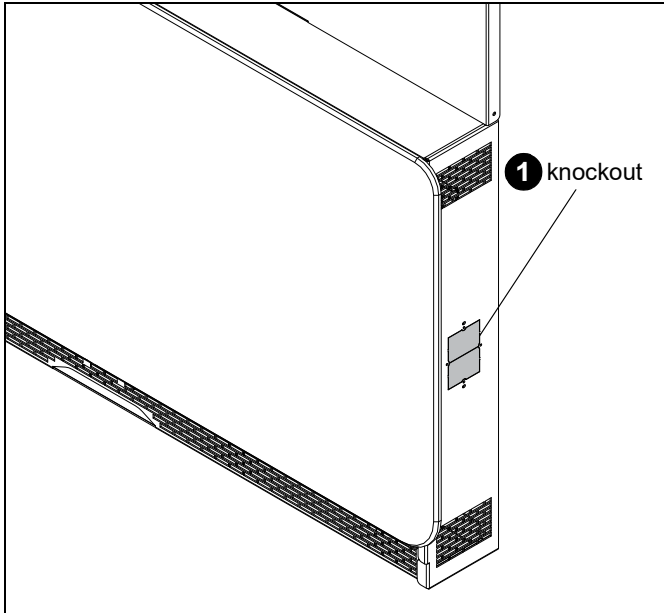


Figure 24

Installing Camera (Not Included)

WARNING: Exceeding the weight capacity can result in serious personal injury or damage to equipment! It is the installer's responsibility to make sure the combined weight mounted on the camera shelf does not exceed 20 lbs (9.07 kg).

WARNING: Failure to securely mount camera may result in serious personal injury or damage to equipment!

1. Install two speaker brackets (G2) to the back side of the camera (not included). Leave hardware loose for now.
2. Position the camera over the camera shelf and install the brackets (G2) to the shelf using two 1/4"-20 x 1/2" hex screws (G1). (See Figure 25)
3. Adjust the height of the camera to the desired height and tighten the camera hardware. (See Figure 25)

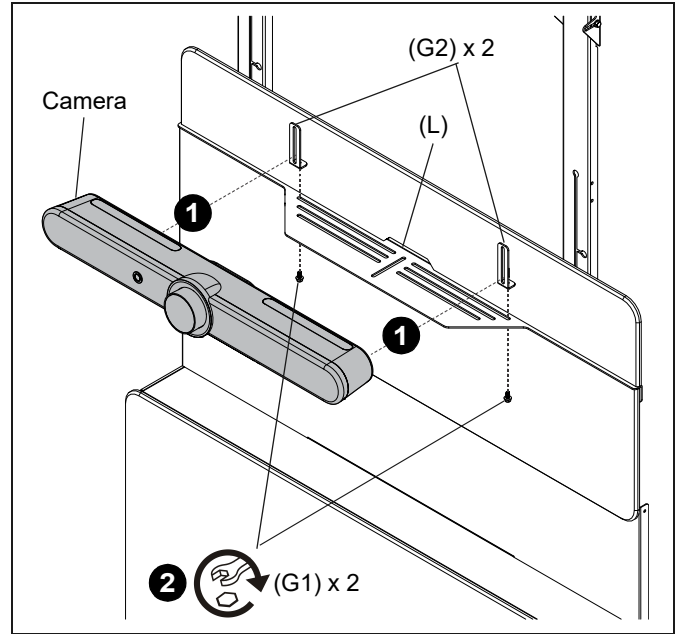


Figure 25

Display Installation

WARNING: Exceeding the weight capacity can result in serious personal injury or damage to equipment! It is the installer's responsibility to make sure the combined weight of all components and mounting systems attached to the top uprights of the TF5MB/TF5MW does not exceed 200 lbs (90.7 kg).

IMPORTANT ! : The adapter brackets (BA) are only required if the display to be installed has a 600mm VESA pattern. Skip ahead to Step 2 if the display has a VESA pattern smaller than 600mm.

1. Install an adapter bracket (BA) to the left (P) and right (N) interface brackets using the attached hex nuts. (See Figure 26)

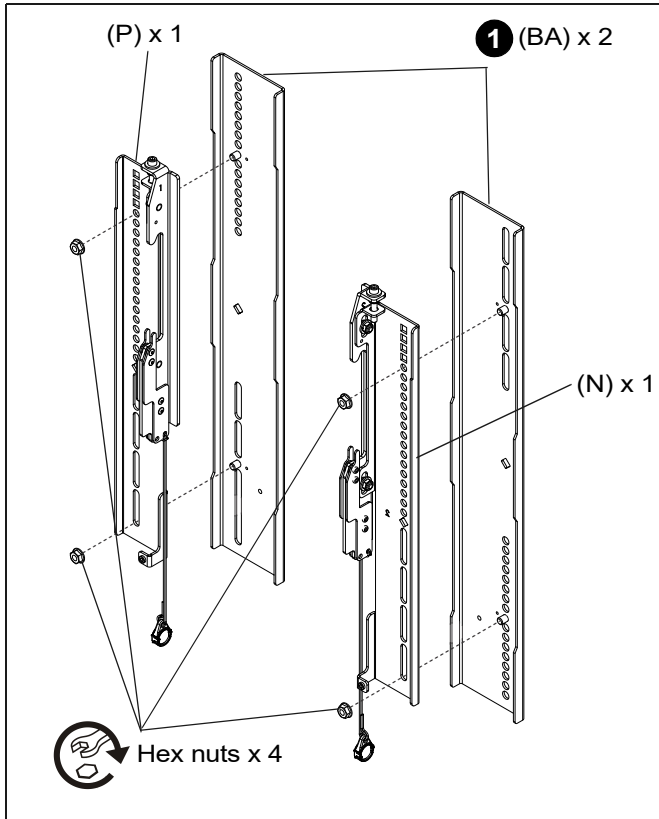


Figure 26

- Align the center of the interface brackets (N/P) with center of screen. (See Figure 27)

NOTE: The diamond-shape hole in the bracket corresponds to the center of the mount.



WARNING: IMPROPER INSTALLATION CAN LEAD TO DISPLAY FALLING CAUSING SERIOUS PERSONAL INJURY OR DAMAGE TO EQUIPMENT! Using screws of improper size may damage your display. Properly sized screws will easily and completely thread into display mounting holes. If spacers are required, be sure to use longer screws of the same diameter.

- Select correct screws (AA-AF), spacers (if necessary) and universal washers (AH) from the hardware bag and attach brackets (N/P) to back of screen. (See Figure 27)
- Install two bumpers (BC) to the left (P) and right (N) interface brackets. (See Figure 27)

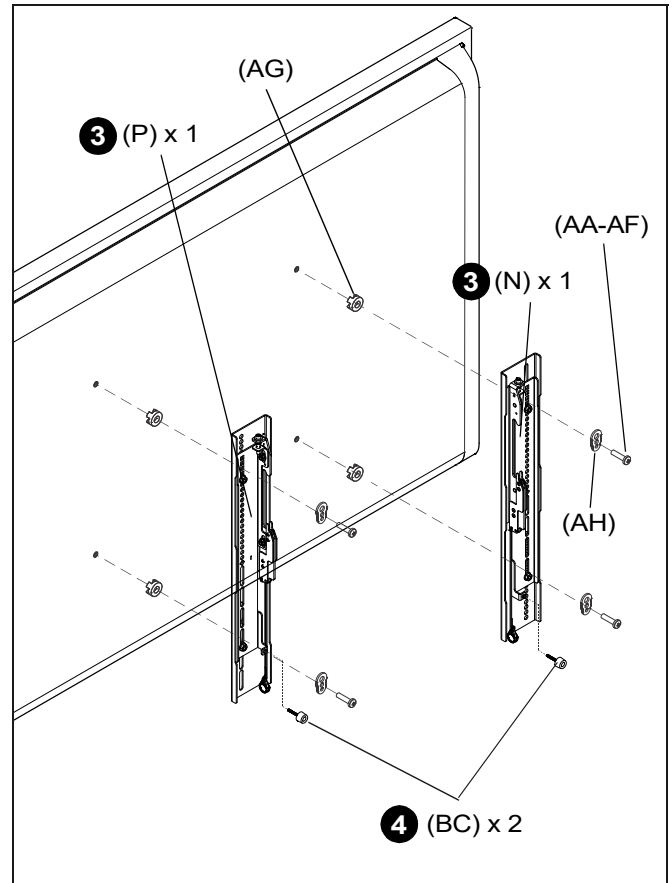


Figure 27

IMPORTANT ! : The M8 screws do **NOT** require a washer. Use the universal washer (AH) only with M6 screws.

NOTE: The nesting spacers (AG) may be used separately, or put two together in different configurations to create different size spacers. (See Figure 28)

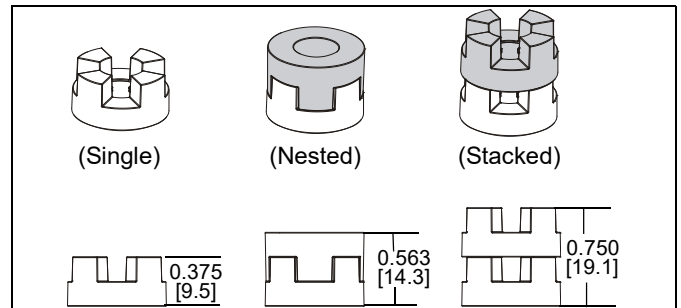


Figure 28

5. Ensure that the latch mechanisms on interface brackets (N/P) are already lowered. (See Figure 29)
6. While supporting both sides of display, lower display onto center of mounting rail (B), hooking top of interface brackets onto front of mounting rail (B). (See Figure 29)
7. Raise the latch mechanism on both interface brackets to lock bracket in place. (See Figure 29)

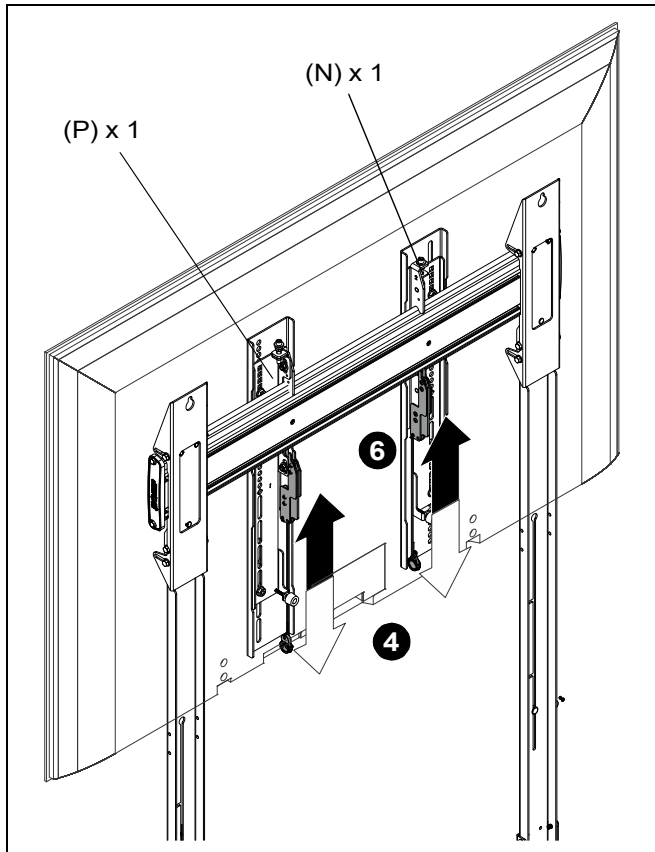


Figure 29

Display Height Adjustment

1. Use upper screws on back of interface brackets (N and P) to adjust the height and level of the display. (See Figure 30)

NOTE: Adjust both brackets in order to maintain a level mount

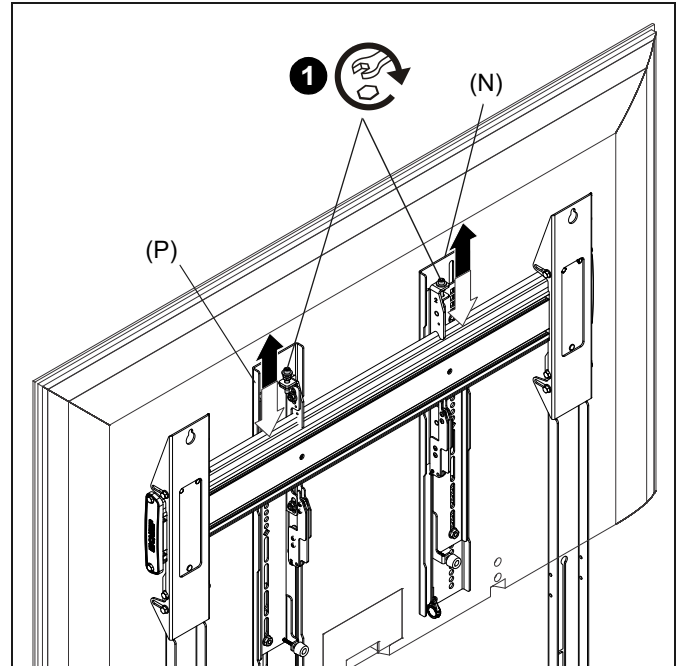


Figure 30

CHIEF®

A brand of  **legrand**

8800-003460 Rev00
©2025 Legrand | AV
www.legrandav.com
10/2025

USA/International	A 6436 City West Parkway, Eden Prairie, MN 55344 P 800.582.6480 / 952.225.6000 F 877.894.6918 / 952.894.6918
Europe	A Franklinstraat 14, 6003 DK Weert, Netherlands P +31 (0) 495 580 852 F +31 (0) 495 580 845
Asia Pacific	A Office No. 918 on 9/F, Shatin Galleria 18-24 Shan Mei Street Fotan, Shatin, Hong Kong P 852 2145 4099 F 852 2145 4477

